



HAF-A Throw type SOLAS Inflatable liferaft



Specification of HAF-A inflatable Liferafts

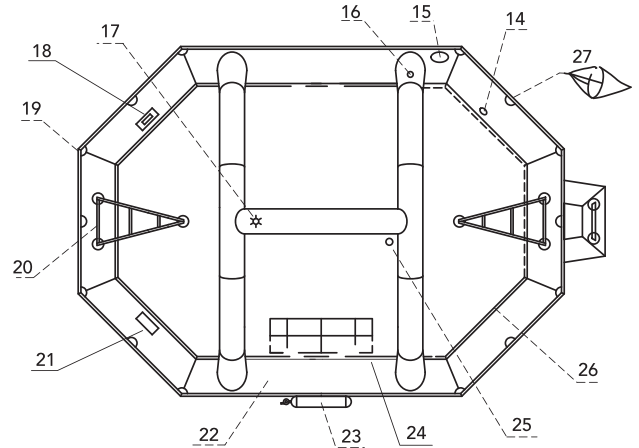
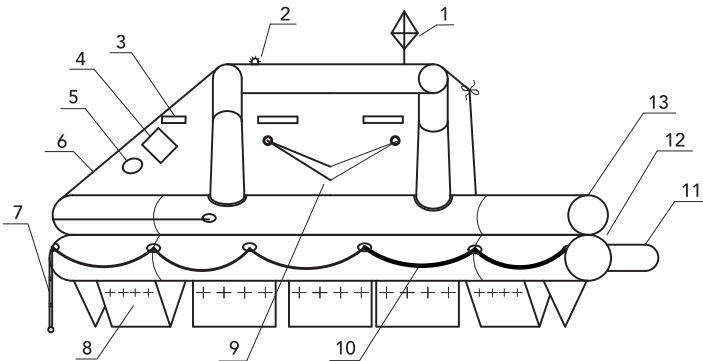
Type	Rated Person	Container Dia. mm	Container Length. mm	Weight kg
A6	6	620	1100	≤ 85
A10	10	680	1150	≤ 120
A15	15	700	1300	≤ 140
A16	16	700	1300	≤ 140
A20	20	730	1495	≤ 175
A25	25	730	1495	≤ 195

Maximum Drop Height: 30m



A

Throw type SOLAS Inflatable liferaft



- | | | |
|--------------------------|---|----------------------------|
| 1. Radar reflector | 10. Lifeline | 19. Towing rope |
| 2. Position lamp | 11. Boarding ramp | 20. Boarding handle |
| 3. Retro-reflective tape | 12. Lower buoyancy chamber | 21. Rescue quito socket |
| 4. Radar answer bag | 13. Upper buoyancy chamber | 22. Inlet valve |
| 5. Outlook window | 14. Top up valve | 23. Cylinder |
| 6. Canopy | 15. Overpressure valve | 24. Accessories bag |
| 7. Raft ladder | 16. Deflate valve for canopy tube | 25. Radar reflector socket |
| 8. Water pocket | 17. External and internal light include battery | 26. Inside lifeline |
| 9. Rain catchment | 18. Buoyant knife | 27. Sea anchor |

Lifesaving Equipment

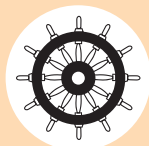


Emergency Pack SOLAS "A" Pack SOLAS "B" Pack: Optional

- | | | |
|---------------------------|-------------------------------|--------------------------------------|
| 1. First-aid kit | 11. Sea anchor | 21. Hand bellow |
| 2. Parachute Rocket Flare | 12. * Tin opener | 22. Illustration for survival signal |
| 3. Red Hand Flare | 13. Whistle | 23. Floatable knife |
| 4. Buoyant Smoke Flare | 14. Radar reflector | 24. Repair kit |
| 5. Food Rations | 15. Daylight signaling mirror | 25. Seasick medicine |
| 6. Water Rations | 16. * Fishing kit | 26. Log book |
| 7. Water-proof torch | 17. Thermal protective aids | 27. Immediate action card |
| 8. Floatable bailer | 18. Drinking Vessel | 28. Liferaft operation manual |
| 9. Floatable paddle | 19. Seasickness bag | |
| 10. Sponge | 20. Survivor's manual | |



Certificate Available Issued by:



DNV-GL CERTIFICATE



Sales & Service Stations Across The Pacific

New Zealand, Fiji, Solomon Islands,
Vanuatu, New Caledonia, Tahiti.
And servicing Tonga, Cook Islands, PNG & Niue.

P: +64 9 275 4575

E: mark@expressdiesel.co.nz
1/185 Montgomerie Road,
Airport Oaks, Auckland Airport

www.expressdiesel.co.nz